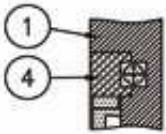
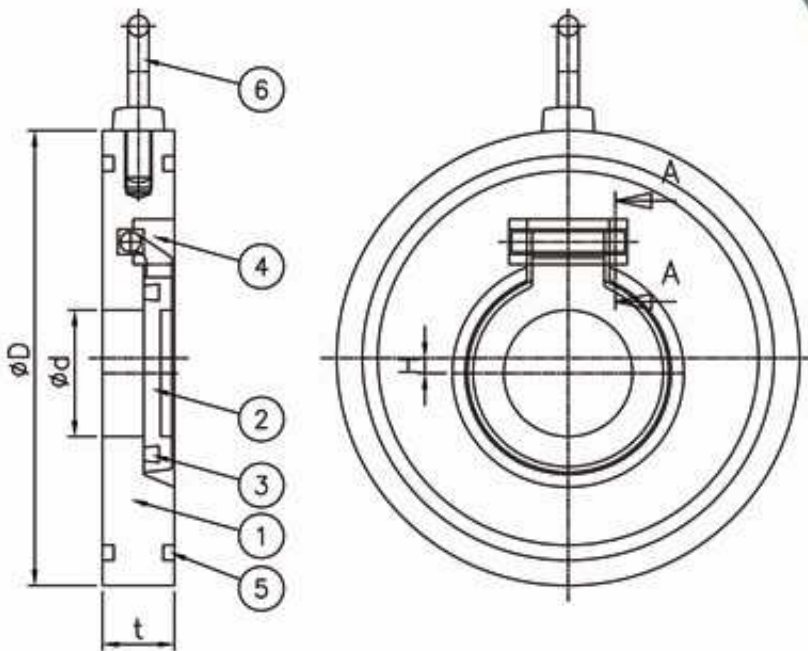


RATING	Kgf/cm ²	PSI
BODY	7.5 Kgf/cm ²	106.7 PSI
SEAT	5.5 Kgf/cm ²	78.2 PSI


SECTION A-A


6	EYE BOLT	SS400
5	O-RING	NBR
4	DISC LOCK PLATE	SUS304
3	O-RING	NBR
2	DISC	SUS304
1	BODY	SUS304

DIMENSION

(Unit:mm)

RATING (Kg/Cm ²)	10K	5K																		
	N.D(A)	25A	40A	50A	65A	80A	100A	125A	150A	200A	250A	300A	350A	400A	450A	500A	550A	600A	650A	700A
φd		10	20	25	40	56	70	92	112	154	200	240	270	310	360	405	445	486	526	567
φD		67	80	90	110	121	141	176	206	252	317	360	403	463	523	573	630	680	735	785
H		1	3	3	3	2.5	3	1.5	4	7	11	13	17.5	22.5	22.5	24	29	16	20	24
t		12	13.5	13.5	13.5	13.5	18	18	20	22	24	28	30	30	34	40	42	48	50	55