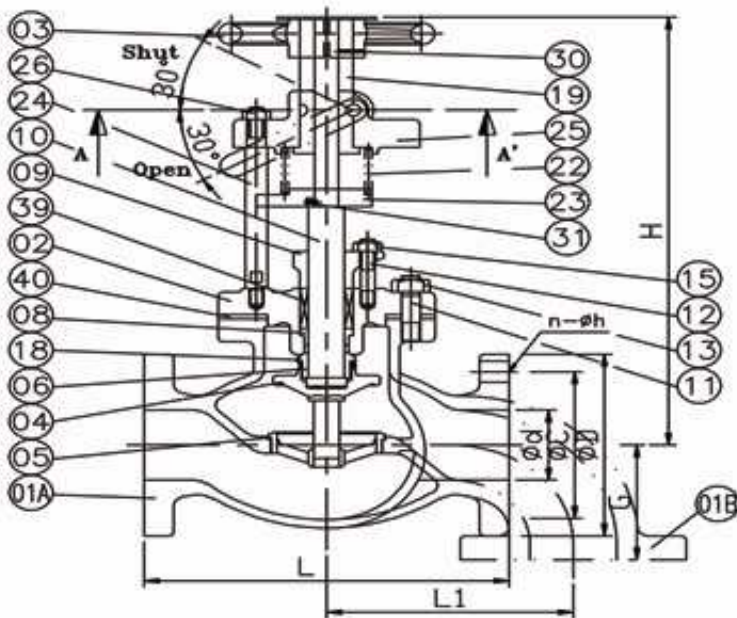
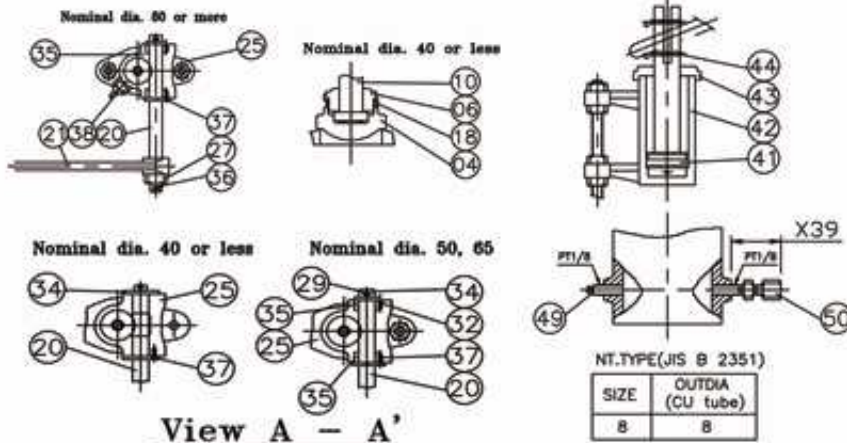


A₁-Type A₂-Type B₁-Type B₂-Type



50	NIPPLE	JIS H 3250	-C3771BD	
44	PIN	JIS H 3250	-C3771BD	
43	CAP	JIS H 3250	-C3771BD	
42	CYLINDER	JIS H 3250	-C3771BD	
41	PISTON	JIS H 3250	-C3771BD	
40	Gasket	JIS F 7102	JIS F 7102	JIS F 7102
39	Packing	JIS F 7102	JIS F 7102	JIS F 7102
38	Grease nipple	-	-	JIS B 1575
37	Set screw	SS41	SS41	SS41
36	Split pin	SWRM 10	SWRM 10	SWRM 10
35	Bush	-	C 3771 BD	C 3771 BD
34	Washer	SS41	SS41	SS41
33	Name plate	C 2801 P	C 2801 P	C 2801 P
32	Set screw	-	SS41	SS41
31	Lock pin	SS41	SS41	SS41
30	Machine screw	C 2700 W	C 2700 W	C 2700 W
29	Split pin	SWRM 10	SWRM 10	SWRM 10
28	Machine screw	C 2700 W	C 2700 W	C 2700 W
27	Hexagon nut	SS41	SS41	SS41
26	Hexagon nut	SS41	SS41	SS41
25	Support bush for stem	BC6	SC46 or S25C	SC46 or S25C
24	Stay bolt	SS41	SS41	SS41
23	Spring support	SS41	SS41	SS41
22	Spring	SWOSC-A	SUP4	SUP4
21	Lever	SS41	SS41	SS41
20	Operating spindle	SUS403	SUS403	SUS403
19	Bush for stem lift	C 3771 BD	C 3771 BD	C 3771 BD
18	Disc lock washer	C 2600 P	SUS304	SUS304
15	Hexagon nut	C 3771 BD	C 3771 BD	C 3771 BD
13	Hexagon nut	SS41	SS41	SS41
12	Stud bolt	SS41	SS41	SS41
11	Stud bolt	SS41	SS41	SS41
10	Stem	BE or BD	SUS403	SUS403
09	Packing gland	BC6	BC6	BC6
08	Bonnet bush	-	BC6 or BD	BC6 or BD
06	Disc nut	BE or BD	SUS304	SUS304
05	Valve seat	-	SCS2	SCS2
04	Disc	BC6	SCS2	SCS2
03	Hand wheel	FC20	FC20	FC20
02	Bonnet	BC6	SC46 or S25C	SC46 or S25C
01B	Body(B-Type)	BC6	SC46	SC46
01A	Body(A-Type)	BC6	SC46	SC46
NO.	NAME	Nominal dia. 40 or less	Nominal dia. 50 and 65	Nominal dia. 80 or more
MATERIAL				

DIMENSION

SIZE	ød	FLANGE JIS 5K FF					L	L3	H	H1	H2	ød1	d2	øD2
		øD	øC	n-øh	t									
15A	15	80	60	4-12	9	110	70	265	57	122	20	TW12	120	
20A	20	85	65	4-12	10	120	75	265	65	122	25	TW12	120	
25A	25	95	75	4-12	10	120	80	265	70	122	30	TW12	120	
32A	32	115	90	4-15	12	160	85	310	80	147	37	TW14	140	
40A	40	120	95	4-15	12	160	85	310	80	147	45	TW14	140	
50A	50	130	105	4-15	14	210	100	335	90	143	58	TW16	160	
65A	65	155	130	4-15	14	250	115	395	100	181	73	TW16	180	
80A	80	180	145	4-19	18	280	130	420	105	191	88	TW18	180	
100A	100	200	165	8-19	18	340	150	510	125	248	111	TW22	224	
125A	125	235	200	8-19	20	410	170	570	150	270	138	TW24	250	
150A	150	265	230	8-19	22	480	190	660	170	322	163	TW26	280	

SIZE	ød	FLANGE JIS 10K FF					L	L3	H	H1	H2	ød1	d2	øD2
		øD	øC	n-øh	t									
15A	15	95	70	4-15	12	110	70	265	57	122	20	TW12	120	
20A	20	100	75	4-15	14	130	75	265	65	122	25	TW12	120	
25A	25	125	90	4-19	14	130	85	265	70	122	30	TW12	120	
32A	32	135	100	4-19	16	170	95	310	80	147	37	TW14	140	
40A	40	140	105	4-19	16	170	100	310	80	147	45	TW14	140	
50A	50	155	120	4-19	16	220	120	335	90	143	58	TW16	160	
65A	65	175	140	4-19	18	270	115	395	100	181	73	TW16	180	
80A	80	185	150	8-19	18	300	140	420	105	191	88	TW18	180	
100A	100	210	175	8-19	18	350	160	510	125	248	111	TW22	224	
125A	125	250	210	8-23	20	420	180	570	150	270	138	TW24	250	
150A	150	280	240	8-23	22	490	205	660	170	322	163	TW26	280	