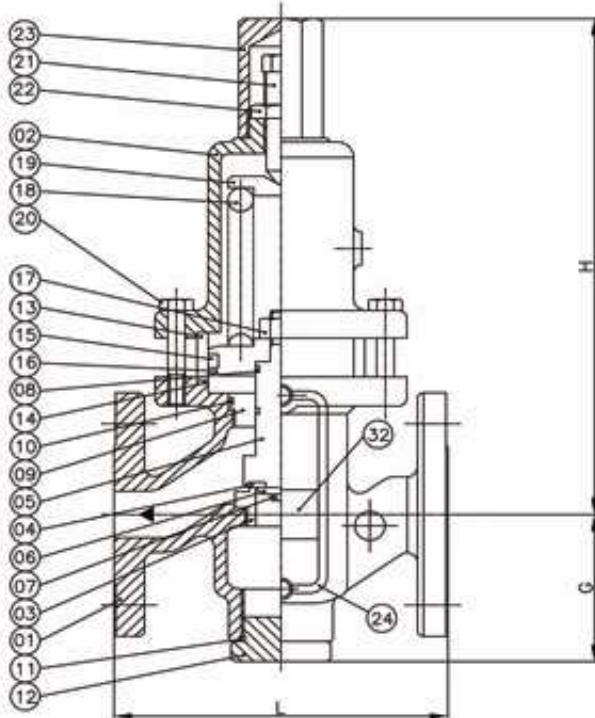




Specifications

- * Applicable fluid : Air
- * Applicable pressure : Max. 40Kgf/cm²G
- * Reducing pr. range : 0.5 to 20Kgf/cm²G
- * Reducing ratio : 20 : 1
- * Lock up pressure : set. pr. * 10%
- * Applicable temperature : Max. 60°C
- * Leakage allowance : 0
- * Hydro. test pr. : Two time of working pr.(3min)
- * End connection : PT THREADED



DIMENSIONS UNIT:mm

SIZE	RATING	L	G	H
15A	10K,16K	140	65	225
20A	10K,16K	145	65	225
25A	10K,16K	155	70	250
32A	5K	182	92	295
	10K,16K	190		
40A	5K	182	92	295
	10K,16K	190		
50A	5K	196	97	310
	10K,16K	200		
65A	5K	242	115	370
	10K	250		
	20K	255		
80A	5K	262	125	400
	10K	270		
	20K	280		
100A	5K	315	140	420
	10K	320		
	20K	330		
125A	10K	350	160	440

32	NAME PLATE	SUS304			
24	CONNECTOR & TUBE	BsBFE+Copper	SUS304	SUS316	
23	CAP	SS400	BsBFE	SUS304	SUS304
22	LOCK NUT	SUS304			
21	ADJUST SCREW	SUS304			
20	HEX. BOLT	SS400	SUS304	SUS304	SUS304
19	T. SPRING SEAT	SS400(Zn Coat)	SUS304		
18	ADJUST SPRING	SWOSC-V			
17	STEM LOCK NUT	SUS304			
16	PISTON	BsBFE	BsBFE	SUS304	SUS316
15	O-RING & B.U.R	NBR or VITON+PTFE			
14	O-RING	NBR or VITON			
13	CYLINDER	BC6	BC6	SUS304	SUS316
12	PLUG	BsBFE	BsBFE	SUS304	SUS316
11	O-RING	NBR or VITON			
10	O-RING	NBR or VITON			
09	STEM GUIDE	BsBFE	BsBFE	SUS304	SUS316
08	O-RING	NBR or VITON			
07	VALVE STEM	SUS304	SUS304	SUS304	SUS316
06	DISC WASHER	SUS304	SUS304	SUS304	SUS316
05	DISC HOLDER	SUS304	SUS304	SUS304	SUS316
04	VALVE DISC	NBR or VITON+PTFE			
03	VALVE SEAT	SUS304	SUS304	SUS304	SUS316
02	SPRING CASE	SC	BC6	SCS13	SCS14
01	VALVE BODY	SC	BC6	SCS13	SCS14