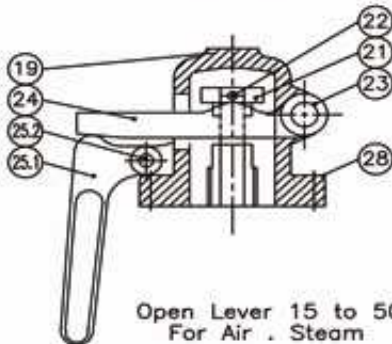


**Specifications**

- \*Applicable fluid : chemical mud
- \*Applicable pressure : 1 to 20kgf/10G
- \*Applicable temperature : Max 220°C
- \*End connection : INLET 150LBS-RF  
OUTLET 150LBS-RF

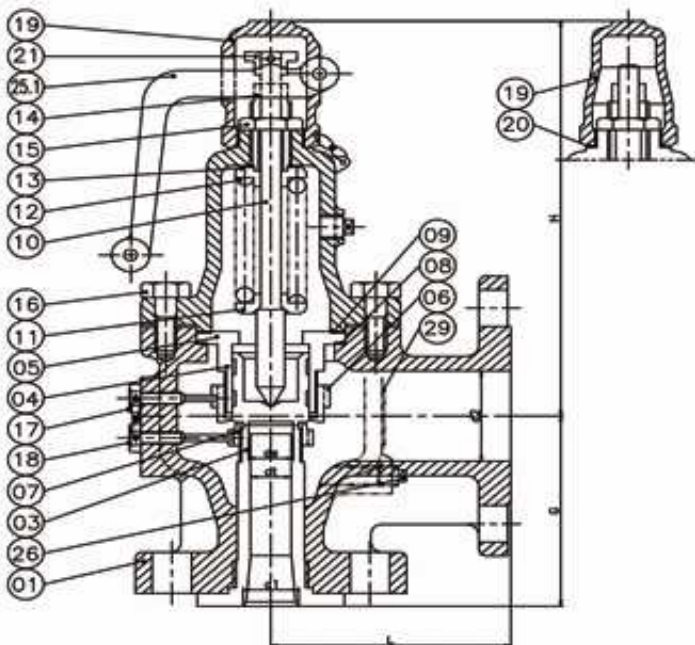


Open Lever 65 to 150  
For Air . Steam



Open Lever 15 to 50  
For Air . Steam

Close Cap 15 to 150  
For Gas . Liquid



29	NAME PLATE	1	SUS304
28	HEX. BOLT & WASHER	6	SS400
27	PLUG or COCK V/V	1	S45C or BRASS
26	DRAIN PLUG	1	S45C
25.2	PIN & LOCK NUT	1	S45C
25.1	EASING LEVER	1	FCD450
24	FORK LEVER	1	FCD450
23	PIN & LOCK NUT	1	S45C
22	SPRING PIN	1	SK5
21	LIFTING WASHER	1	SS400
20	CAP GASKET	1	ASBESTOS FREE
19	CAP	1	FCD450
18	LOW LOCK BOLT & GASKET	1	SUS304 & ASBESTOS FREE
17	UPPER LOCK BOLT & GASKET	1	SUS304 & ASBESTOS FREE
16	HEX. BOLT & WASHER	1	SS400
15	ADJUSTING SCREW LOCK NUT	1	SUS304
14	ADJUSTING SCREW	1	SUS304
13	UPPER SPRING WASHER	1	SS400
12	ADJUSTING SPINDLE	1	NOTE2
11	LOW SPRING WASHER	1	SS400
10	SPINDLE	1	SUS304
09	BONNET GASKET	1	ASBESTOS FREE
08	BODY GASKET	1	ASBESTOS FREE
07	LOW CONTROL RING	1	BC6
06	UPPER CONTROL RING	1	BC6
05	DISC GUIDE	1	BC6
04	DISC	1	SUS304 or SCS13
03	NOZZLE SEAT	1	SUS304 or SCS13
02	BONNET	1	SC480
01	VALVE BODY	1	SC480

**DIMENSIONS**

UNIT:mm

NO OF LIST	SIZE	SEAT DIA. ds	THROAT DIA. dt	LIFT l	CENTER TO FACE		APPROX. HEIGHT H	DRAIN HOLE PT
					L	G		
1	d1*d2							
2	15*25	13	11	2.8	90	85	200	—
3	20*25	18	15	3.8	90	85	200	—
4	25*40	22	19	4.8	115	105	220	1/4
5	25*50	22	19	4.8	115	105	220	1/4
6	40*50	35	30	7.5	130	125	310	3/8
7	40*65	35	30	7.5	130	125	310	3/8
8	50*80	44	38	9.5	140	140	340	3/8
9	65*100	57	49	12.3	160	155	450	1/2
10	80*100	66	56	14.0	175	170	510	1/2
11	80*125	66	56	14.0	175	170	510	1/2
12	100*150	86	73	18.3	210	195	580	1/2
13	125*200	104	88	22.0	230	225	700	3/4
14	150*200	123	105	26.3	250	230	780	3/4
14	200*250	178	152	38.0	270	260	900	3/4