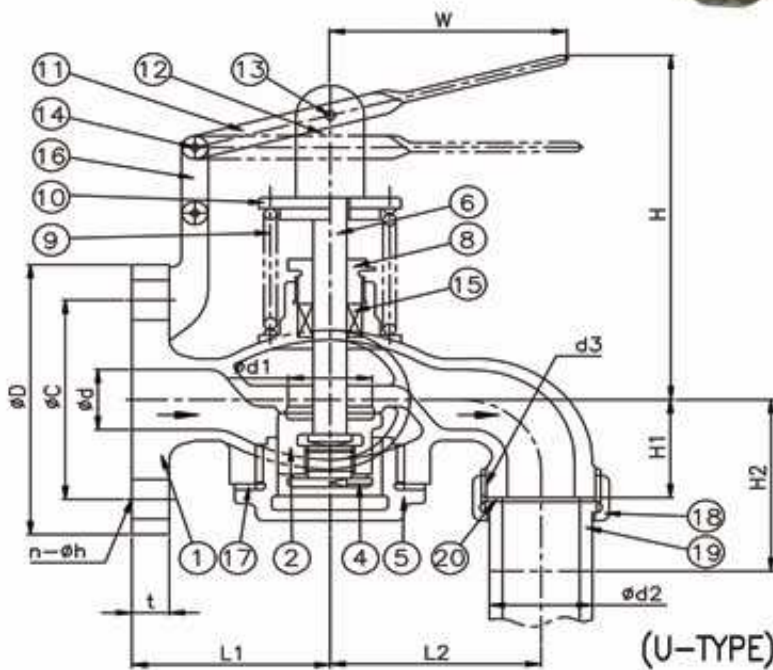


BRONZE SELF CLOSING DRAIN VALVE U TYPE 5K 10K

RATING	Kgf/cm ²	PSI
BODY	1.5 Kgf/cm ²	21 PSI
SEAT	1.1 Kgf/cm ²	16 PSI

RATING	Kgf/cm ²	PSI
BODY	1.5 Kgf/cm ²	21 PSI
SEAT	1.1 Kgf/cm ²	16 PSI



20	GASKET	NON-ASBESTOS
19	NIPPLE	STPG
18	UNION NUT	SS41
17	GASKET	NON-ASBESTOS
16	LINK	SS41
15	PACKING	NON-ASBESTOS
14	STOP RING	SK5
13	PIN	BsBFE2
12	GUIDE	BsBFE2
11	OPERATING HANDLE	SS41
10	SPRING SUPPORT	SS41
9	SPRING	SWPA
8	PACKING GLAND	BsBFE2
6	STEM	BsBFE2
5	BONNET	BC6
4	DISC NUT	BsBFE2
2	DISC	BC6
1	BODY(TYPE U)	BC6

DIMENSION

(Unit:mm)

SIZE	ød	ød1	FLANGE JIS5K FF				L1	L2	H	H1	H2	ød2	d3	W	WT(Kg)/EA
			øD	øC	n-øh	t									
15A	15	30	80	60	4-12	9	42	43	130	31	40	34	M30xp2	120	4.3
25A	25	30	95	75	4-12	10	65	65	165	40	67	34	M40xp2	160	4.3
32A	25	37	115	90	4-15	12	90	100	220	50	80	42.7	M52xp2	176	5.7
40A	40	45	120	95	4-15	12	90	100	220	60	96	48.6	M58xp2	185	7.5

SIZE	ød	ød1	FLANGE JIS10K FF				L1	L2	H	H1	H2	ød2	d3	W	WT(Kg)/EA
			øD	øC	n-øh	t									
15A	15	30	95	70	4-15	12	42	43	130	31	40	34	M30xp2	120	4.6
25A	25	30	125	90	4-19	14	65	65	165	40	67	34	M40xp2	160	4.6
32A	25	37	135	100	4-19	16	90	100	220	50	80	42.7	M52xp2	176	6.2
40A	40	45	140	105	4-19	16	90	100	220	60	96	48.6	M58xp2	185	8.5