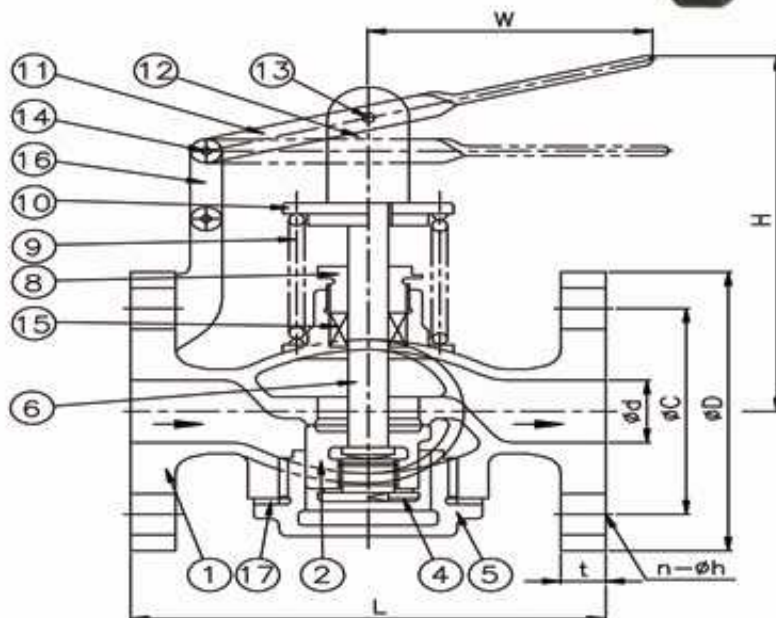


RATING	Kgf/cm ²	PSI
BODY	1.5 Kgf/cm ²	21 PSI
SEAT	1.1 Kgf/cm ²	16 PSI

RATING	Kgf/cm ²	PSI
BODY	1.5 Kgf/cm ²	21 PSI
SEAT	1.1 Kgf/cm ²	16 PSI



17	GASKET	ASBESTOS
16	LINK	SS41
15	PACKING	ASBESTOS
14	STOP RING	SK5
13	PIN	BsBFE2
12	GUIDE	BsBFE2
11	OPERATING HANDLE	SS41
10	SPRING SUPPORT	SS41
9	SPRING	SWPA
8	PACKING GLAND	BsBFE2
6	STEM	BsBFE2
5	BONNET	BC6
4	DISC NUT	BsBFE2
2	DISC	BC6
1	BODY(TYPE F)	BC6

DIMENSION

(Unit:mm)

SIZE	ød	ød1	FLANGE JIS5K FF				L	H	W
			øD	øC	n-øh	t			
15A	15	30	80	60	4-12	9	110	130	120
25A	25	30	95	75	4-12	10	130	180	160
32A	25	37	115	90	4-15	12	180	200	176
40A	40	45	120	95	4-15	12	180	200	180

SIZE	ød	ød1	FLANGE JIS10K FF				L	H	W
			øD	øC	n-øh	t			
15A	15	30	95	70	4-15	12	110	130	120
25A	25	30	125	90	4-19	14	130	180	160
32A	25	37	135	100	4-19	16	180	200	176
40A	40	45	140	105	4-19	16	180	200	180