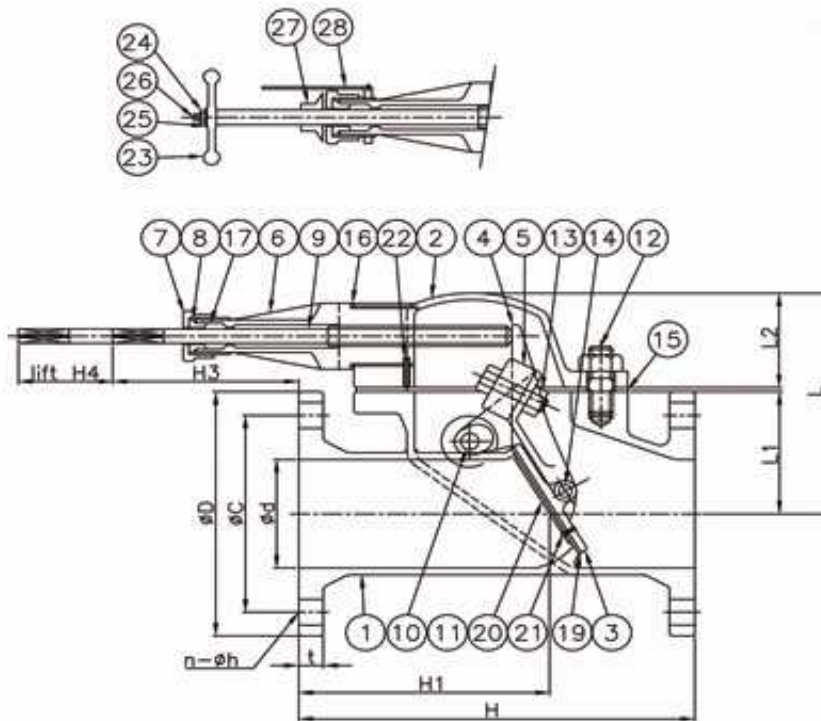


RATING	Kgf/cm <sup>2</sup>	PSI
BODY	5.1 Kgf/cm <sup>2</sup>	73 PSI



**IMAGE IS BEING UPGRADED**



28	INDICATOR PLATE	BRASS
27	INDICATOR	BRASS
26	SPLIT PIN	JIS H 3260-C2600W
25	WASHER	BRASS BAR
24	HEXAGON NUT	JIS H 3250-C3771BDoBE
23	HANDLE	JIS G 5501-FC200
22	SET SCREW	JIS H 3250-C3604BDorBE
21	SET SCREW FOR GASKET	BRASS BAR
20	SET PLATE FOR GASKET	JIS H 3100-C2600P-0
19	GASKET	JIS K 6380-Oil resisting synthetic rubber
18	GASKET	TEFLON
17	PACKING	TEFLON
16	GASKET	TEFLON
15	GASKET	NON ASBESTOS
14	HEX BOLT & NUT	
13	HEX BOLT & NUT	SUS304
12	STUD BOLT & NUT	
11	WASHER	BRASS PLATE
10	PLUG	JIS G4303-SUS403
9	STEM	JIS G4303-SUS403
8	PACKING GLAND	
7	PACKING GLAND NUT	JIS H 5111-BC6
6	SPINDLE BOX	
5	COUNTERWEIGHT	JIS H 2105-CLASS 1
4	ARM	JIS H 5111-BC6
3	VALVE PLATE	
2	COVER	JIS G5101-SC480
1	BODY	

**DIMENSION**

(Unit:mm)

SIZE	ød	FLANGE JIS 5K FF				H	H1	H2	H3	L	L1	L2
		øD	øC	n-øh	t							
50A	50	130	105	4-15	14	210	125	131	70	131	70	60
65A	65	155	130	4-15	14	240	145	141	78	141	78	62
80A	80	180	145	4-19	14	260	155	155	90	155	90	64
100A	100	200	165	8-19	16	280	170	171	100	171	100	70
125A	125	235	200	8-19	16	330	185	195	125	195	125	71
150A	150	265	230	8-19	18	360	205	212	135	212	135	76