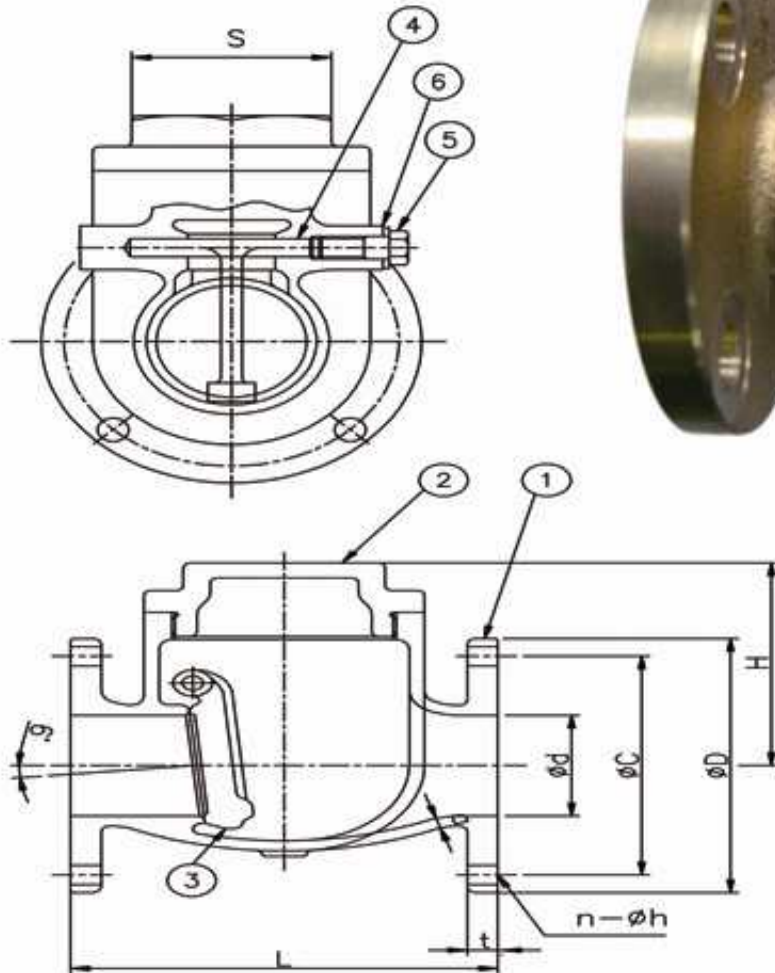


|        |                          |         |
|--------|--------------------------|---------|
| RATING | Kgf/cm <sup>2</sup>      | PSI     |
| BODY   | 10.5 Kgf/cm <sup>2</sup> | 149 PSI |
| SEAT   | 7.7 Kgf/cm <sup>2</sup>  | 109 PSI |

|        |                          |         |
|--------|--------------------------|---------|
| RATING | Kgf/cm <sup>2</sup>      | PSI     |
| BODY   | 10.5 Kgf/cm <sup>2</sup> | 149 PSI |
| SEAT   | 7.7 Kgf/cm <sup>2</sup>  | 109 PSI |



|   |           |        |
|---|-----------|--------|
| 6 | GASKET    | TEFLON |
| 5 | PLUG      | SUS304 |
| 4 | HINGE PIN | BRASS  |
| 3 | DISC      | BC6    |
| 2 | BONNET    |        |
| 1 | BODY      |        |

**DIMENSION**

(UNIT :mm)

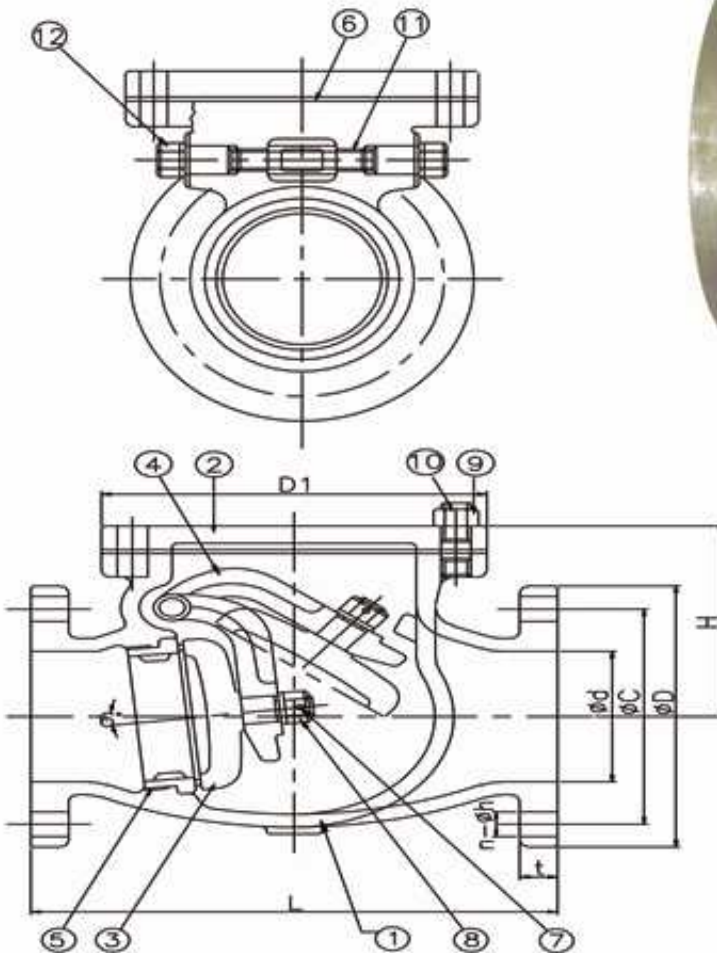
| MARK<br>SIZE | φd | FLANGED JIS 5K FF |    |    |      | φ | S  | L   | H  |
|--------------|----|-------------------|----|----|------|---|----|-----|----|
|              |    | φD                | t  | φC | n-φh |   |    |     |    |
| 15           | 25 | 80                | 10 | 60 | 4-12 | 4 | 41 | 110 | 69 |
| 20           | 25 | 85                | 10 | 65 | 4-12 | 4 | 41 | 110 | 69 |
| 25           | 25 | 95                | 10 | 75 | 4-12 | 4 | 41 | 110 | 69 |
| 32           | 32 | 115               | 12 | 90 | 4-15 | 4 | 41 | 130 | 79 |
| 40           | 40 | 120               | 12 | 95 | 4-15 | 5 | 46 | 140 | 93 |

| MARK<br>SIZE | φd | FLANGED JIS 10K FF |    |     |      | φ | S  | L   | H  |
|--------------|----|--------------------|----|-----|------|---|----|-----|----|
|              |    | φD                 | t  | φC  | n-φh |   |    |     |    |
| 15           | 15 | 95                 | 12 | 70  | 4-15 | 3 | 32 | 110 | 69 |
| 20           | 20 | 100                | 14 | 75  | 4-15 | 4 | 36 | 110 | 69 |
| 25           | 25 | 125                | 14 | 90  | 4-19 | 4 | 41 | 110 | 69 |
| 32           | 32 | 135                | 16 | 100 | 4-19 | 4 | 41 | 130 | 79 |
| 40           | 40 | 140                | 16 | 105 | 4-19 | 5 | 46 | 140 | 93 |

**CAST IRON SWING CHECK 5K & 10K**

| RATING | Kgf/cm <sup>2</sup>      | PSI     |
|--------|--------------------------|---------|
| BODY   | 10.5 Kgf/cm <sup>2</sup> | 149 PSI |
| SEAT   | 7.7 Kgf/cm <sup>2</sup>  | 109 PSI |

| RATING | Kgf/cm <sup>2</sup>      | PSI     |
|--------|--------------------------|---------|
| BODY   | 21.0 Kgf/cm <sup>2</sup> | 279 PSI |
| SEAT   | 15.4 Kgf/cm <sup>2</sup> | 218 PSI |



|    |             |           |
|----|-------------|-----------|
| 12 | PLUG        | BRASS     |
| 11 | HINGE PIN   | BRASS     |
| 10 | STUD BOLT   | SS41      |
| 9  | HEXAGON NUT |           |
| 8  | HEXAGON NUT | BRASS     |
| 7  | SPLIT PIN   |           |
| 6  | GASKET      | JIS F7102 |
| 5  | SEAT RING   | BC6       |
| 4  | ARM         |           |
| 3  | DISC        | CAST IRON |
| 2  | BONNET      |           |
| 1  | BODY        |           |

| DIMENSION |      | FLANGED JIS 5K FF |          |    |          |             | (UNIT :mm) |     |     |
|-----------|------|-------------------|----------|----|----------|-------------|------------|-----|-----|
| MARK      | SIZE | $\phi d$          | $\phi D$ | t  | $\phi C$ | n- $\phi h$ | H          | L   | D1  |
|           | 50   | 50                | 130      | 16 | 105      | 4-15        | 97         | 190 | 135 |
|           | 65   | 65                | 155      | 18 | 130      | 4-15        | 119        | 220 | 155 |
|           | 80   | 80                | 180      | 18 | 145      | 4-19        | 129        | 250 | 185 |
|           | 100  | 100               | 200      | 20 | 165      | 8-19        | 146        | 280 | 205 |
|           | 125  | 125               | 235      | 20 | 200      | 8-19        | 171        | 330 | 235 |
|           | 150  | 150               | 265      | 22 | 230      | 8-19        | 198        | 380 | 265 |
|           | 200  | 200               | 320      | 24 | 280      | 8-23        | 235        | 460 | 330 |

| DIMENSION |      | FLANGED JIS 10K FF |          |    |          |             | (UNIT :mm) |     |     |
|-----------|------|--------------------|----------|----|----------|-------------|------------|-----|-----|
| MARK      | SIZE | $\phi d$           | $\phi D$ | t  | $\phi C$ | n- $\phi h$ | H          | L   | D1  |
|           | 50   | 50                 | 155      | 20 | 120      | 4-19        | 109        | 210 | 150 |
|           | 65   | 65                 | 175      | 22 | 140      | 4-19        | 126        | 240 | 170 |
|           | 80   | 80                 | 185      | 22 | 150      | 8-19        | 136        | 270 | 185 |
|           | 100  | 100                | 210      | 24 | 175      | 8-19        | 153        | 300 | 205 |
|           | 125  | 125                | 250      | 24 | 210      | 8-23        | 180        | 350 | 250 |
|           | 150  | 150                | 280      | 26 | 240      | 8-23        | 205        | 400 | 275 |
|           | 200  | 200                | 330      | 26 | 290      | 12-23       | 242        | 480 | 330 |