

CAST IRON DUPLEX OIL STRAINER 5K

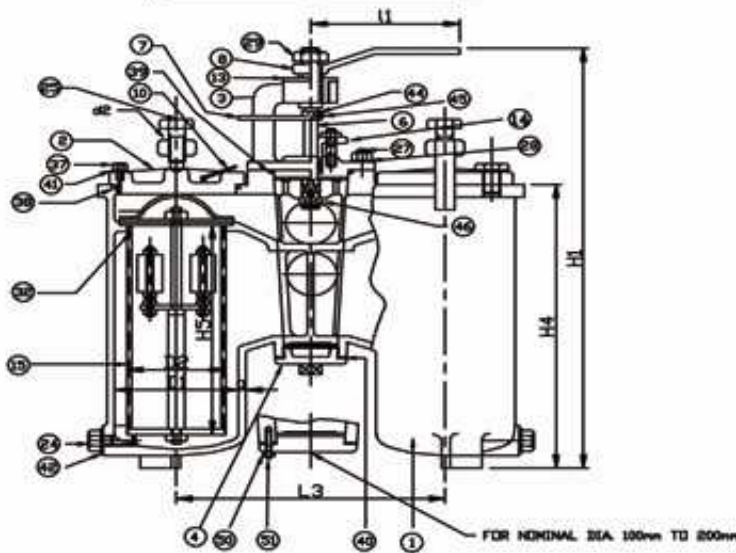
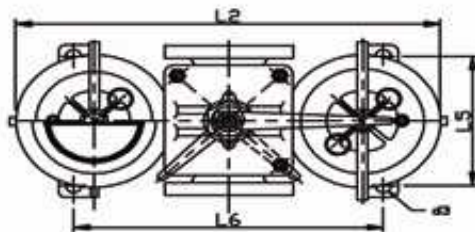
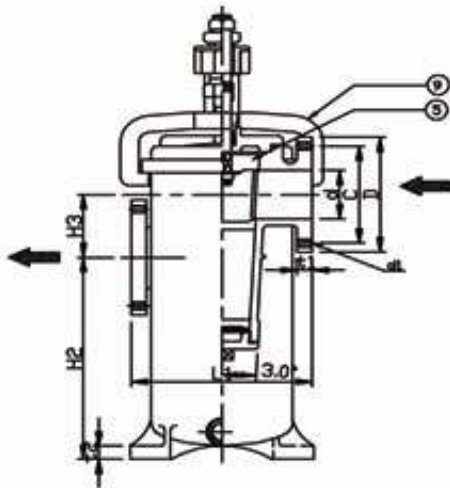


IMAGE IS BEING UPGRADED

51	STUD BOLT	SS400	SS400
50	NUT	SS400	SS400
46	NUT	SS400	SS400
45	SUPPORTING BAR	SS400	SS400
44	MAGNET	MAGNETIC	MAGNETIC
42	GASKET	TEFLON	TEFLON
41	GASKET	TEFLON	TEFLON
40	GASKET	N. B. R.	N. B. R.
39	O-RING	N. B. R.	N. B. R.
38	O-RING	N. B. R.	N. B. R.
37	AIRVENT PLUG	SS400	SS400
32	WIRE GAUZE	SUS304	SUS304
29	NUT	SS400	SS400
28	NUT	SS400	SS400
27	STUD BOLT	SS400	SS400
25	COVER PUSHING BOLT	SS400	SS400
24	DRAIN PLUG	SS400	SS400
15	FILTER	SS400	SS400
14	PACKING GLAND	BC6	BC6
13	SCREW RING	BC6	BC6
10	RING	SS400	SS400
9	YDKE	FCD450	FCD450
8	HANDLE	FCD450	FCD450
7	HANDLE	FCD450	FCD450
6	STEM	SS400	SS400
5	COCK PLUG	BC6	BC6
4	COVER	FC200	FCD450
3	BONNET	FC200	FCD450
2	BONNET	FC200	FCD450
1	BODY	FC200	FCD450
NO.	NAME OF PART	FC200	FCD450

DIMENSION

SIZE	d	L1	L2	5K FLANGE						H1	L3	H4	D1	a	t2	D2	L5	L6	d3	WEIG HT (Kg)
				D	C	N	d1	t1												
40A	40	180	415	127		4	M15		479	260	322	120	8	15	95	150	302	15	80.6	
50A	50	180	415	130	105	4	M12	17	515.5	260	322	120	8	15	95	150	302	15	41.6	
65A	65	215	514	155	130	4	M12	18	660.5	324	405	150	9	18	120	185	375	19	82.2	
80A	80	245	600	180	145	4	M16	20	684.5	380	470	175	10	20	140	215	440	19	131	
100A	100	285	718	200	165	8	M16	20	816	456	565	210	12	22	165	255	524	23	201	
125A	125	330	852	235	200	8	M16	20	952	544	670	250	14	24	195	305	620	23	320	
150A	150	410	1046	265	230	8	M16	22	1299	680	818	300	16	25	230	365		23	565	
200A	200	490	1250	320	280	8	M20	24	1520	820	1020	360	18	30	270	430		27	1183	